

Mykrolis Chemlock[®] PFA Housing

Less tool space, less handling, less hassle



Ultimate Space Saving Design

Mykrolis's Chemlock PFA Housing offers a space saving solution like no other cartridge filter housing available today. This revolutionary new housing locks the cartridge into the bowl, allowing the bowl and cartridge to be removed as a single unit.

Easier Cartridge Changeout

Cartridge changeout has never been easier. The Chemlock bowl is used as a tool when installing and removing a cartridge. After the cartridge is inserted into the bowl, a ¼ turn locks the cartridge into place. The Chemlock bowl and cartridge filter can be installed into a Chemlock head, quickly and easily. By turning the locking ring, the cartridge is pushed vertically into the housing head, ensuring perfect alignment and double O-ring engagement every time! Operators do not have to touch the cartridge body during cartridge changeout, which minimizes exposure to chemicals.

Reduced Footprint

The Chemlock PFA Housing has fully molded fittings in several fitting types and sizes, in an extremely compact housing head design. The Chemlock housing is offered in a universal (nominal 10"), and 20" length to accommodate a wide variety of cartridges.

Improved Reliability

Cartridge locking feature prevents the cartridge from falling out or being pushed out by back pressure. Vertical installation ensure O-rings will not roll.

Product Features

Smaller footprint, "minimal-clearance" cartridge/bowl design.

Cartridge locks into bowl with simple 1/4 turn twist.

Compact head with molded-on fittings.

Easier cartridge changeout.

Product Benefits

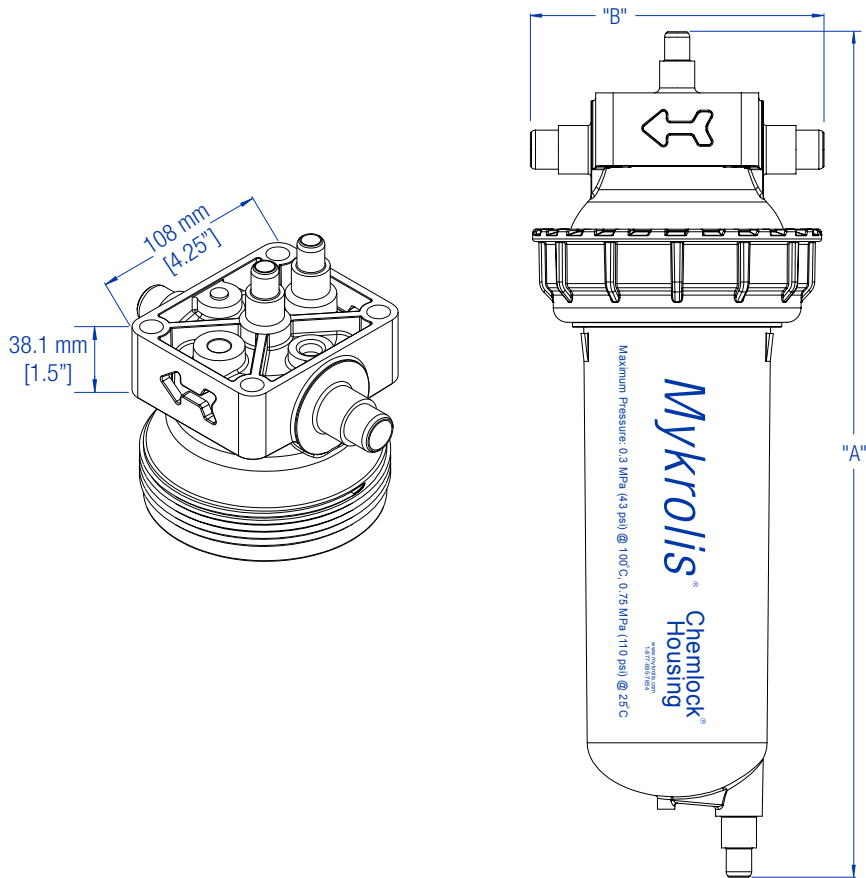
Tremendous tool space savings over traditional housings. Requires less space for cartridge changeout.

Lock-in cartridge reduces required overall footprint and cartridge changeout space. Turning the bowl locking ring perfectly seats the cartridge in the head with double O-ring engagement and straight alignment every time.

Minimal footprint with fittings and configurations to ensure compatibility for most filtration applications.

Provides virtual hands-free cartridge changeout for maximum safety and cleanliness. Allows quick installation and minimizes downtime while limiting the handling of hazardous chemicals during the installation and disposal processes, promoting a more healthy workplace.

Chemlock PFA Housings - Dimensions



I/O	VENT/DRAIN	Dimension B	11" Dimension A	20" Dimension A
3/4" Flaretek®	1/2" Flaretek	156 mm [6.2"]	434 mm [17.1"]	681 mm [26.8"]
1" Flaretek	1/2" Flaretek	168 mm [6.6"]	434 mm [17.1"]	681 mm [26.8"]
3/4" Pipe	1/4" Pipe	201 mm [7.9"]	416 mm [16.4"]	663 mm [26.1"]
3/4" Pipe	none	201 mm [7.9"]	398 mm [15.7"]	644 mm [25.4"]
3/4" NPT	1/4" NPT	134 mm [5.3"]	378 mm [15.0"]	622 mm [24.5"]
3/4" Super*	1/2" Super*	178 mm [7.0"]	431 mm [17.0"]	683 mm [26.9"]
1" Super*	1/2" Super*	156 mm [6.1"]	431 mm [17.0"]	683 mm [26.9"]
3/4" S300**	1/2" S300**	170 mm [6.7"]	431 mm [17.0"]	678 mm [26.7"]

* Super Type Pillar® Fittings

** Super 300 Type Pillar Fittings

Specifications

Materials	Head, molded-on fittings, bowl and plugs: Teflon® fluoropolymer PFA 440 HP or equivalent
	O-ring: Teflon fluoropolymer encapsulated Viton® fluor elastomer O-ring (TEV)
	Locking Ring: PVDF (non-wetted part)
	Mounting Hardware (nuts and bolts): PVDF (non-wetted parts)
Fluid Connections	See Ordering Information.
Cartridge Connections	Code 0, 2-222 O-ring
Operating Conditions	Maximum Inlet Pressure: 0.3 MPa (3.0 bar, 43 psi) @ 100° C 0.75 MPa (7.5 bar, 110 psi) @ 25° C
	Maximum Operating Temperature: 100° C (212° F)

Chemlock PFA Housings - Easy to Use, Minimal Space Requirements

Easy Cartridge Changeout

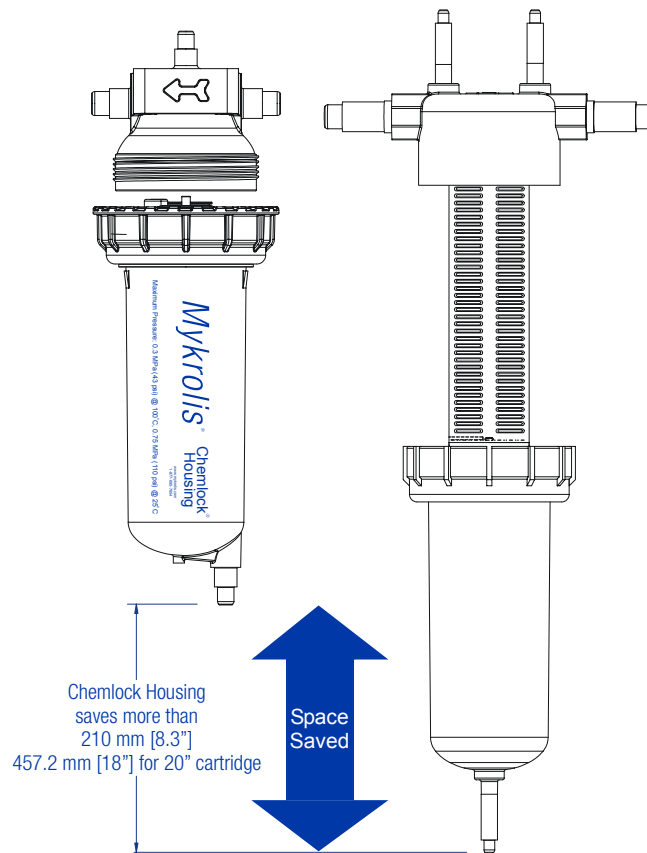
The Chemlock housing permits fast, easy cartridge change-out with minimal handling.

The cartridge easily locks in the bowl and the bowl rapidly attaches to the head by tightening the locking ring.

The compact design provides a vertical space-saving advantage for cartridge changeout.

Minimal Space Requirements

The Chemlock housing saves a minimum of 8 inches of vertical space over traditional housing installations. Cartridges can be removed with minimal clearance. Standard housings require dedicated space in the filtration system to lower a housing bowl below the cartridge. The fully molded Chemlock head also has the smallest footprint available anywhere.



Simple, Hassle-Free Installation

Simple, Clean, Fast Installation

Cartridge changeout can now be done with minimal contact to the used cartridge.

Mykrolis's Chemlock cartridges are

locked into the bowl with a simple 1/4-turn. By turning the locking ring, the cartridge is pushed securely into the housing head; the cartridge cannot be dislodged during operation.

For cartridge removal, you do not need to grab the cartridge body, simply unscrew the locking ring and the cartridge will disengage from the housing head. This minimizes exposure to chemicals.



1 Insert cartridge into the bowl.



2 Twist filter 1/4-turn to lock.



3 Attach bowl to head.



4 Tighten locking ring to easily seat double O-rings. Use a torque wrench to ensure proper tightening.

Chemlock PFA Housings - Ordering Information

Cartridges

Mykrolis Chemlock cartridges are compatible with the Chemlock PFA and Chemlock PP housings. Cartridges can be ordered by adding either a "K" or a "Y" to the end of a standard cartridge catalog number depending on the product family. Standard cartridges (without the key) are still available under their 9-digit catalog number.

Any standard 10" Code 0 cartridge can be used with the universal Chemlock PFA housing. **Only Mykrolis's Chemlock cartridges can utilize the cartridge locking mechanism. Use of a Chemlock key or any other key with a third party cartridge shall void the warranty of the housing and may infringe one or more of Mykrolis's pending or issued U.S. and foreign patents.** Such patents and warranty do not apply to use of third party cartridge without any key.

Refer to individual cartridge datasheets on www.mykrolis.com for cartridge ordering information.

Heads, Bowls, and Kits

Chemlock PFA T-Line Heads

Part #	Inlet/Outlet Fittings	Vent/Drain Fittings
YY56 HP 203	3/4" S300 Type Pillar	1/2" S300 Type Pillar
YY56 HP 20P	3/4" Super Type Pillar	1/2" Super Type Pillar
YY56 HP 24P	1" Super Type Pillar	1/2" Super Type Pillar
YY56 HB 20B	3/4" Pipe	1/4" Pipe
YY56 H0 00B	3/4" Pipe	None
YY56 HF 20F	3/4" Flaretek	1/2" Flaretek
YY56 HF 24F	1" Flaretek	1/2" Flaretek
YY56 HA 20A	3/4" FNPT	1/4" FNPT




Chemlock PFA Bowls

11" Part #	20" Part #	Drain or Vent Fitting
YY56 11 160	YY56 20 160	1/4" FNPT
YY56 11 170	YY56 20 170	1/4" Pipe
YY56 11 180	YY56 20 180	1/4" Flaretek fitting
YY56 11 280	YY56 20 280	1/2" Flaretek fitting
YY56 11 250	YY56 20 250	1/2" Super Type Pillar
YY56 11 253	YY56 20 253	1/2" S300 Type Pillar

Chemlock PFA T-Line Housing Kits (Bowl and Head)

11" Part #	20" Part #	Inlet/Outlet Fittings	Vent/Drain Fittings
YY56 11 20A	YY51 20 20A	3/4" FNPT	1/4" FNPT
YY56 11 20B	YY56 20 20B	3/4" Pipe	1/4" Pipe
YY56 11 20F	YY56 20 20F	3/4" Flaretek	1/2" Flaretek
YY56 11 21F	YY56 20 21F	1" Flaretek	1/2" Flaretek
YY56 11 20P	YY56 20 20P	3/4" Super Type Pillar	1/2" Super Type Pillar
YY56 11 203	YY56 20 203	3/4" Super 300 Type Pillar	1/2" Super 300 Type Pillar

Accessories

Description	Part #	Photo	Qty./Pkg
Chemlock Housing Wrench with O-ring Extraction Tool (REQUIRED)	YY46 000 03		1
Spare Mounting Hardware Kit: (4) PVDF 3/8" -16 x 2.5" (63.5 mm) hex head cap screw (4) PVDF Nuts 3/8" -16	YY56 000 10		1 kit
Spare O-ring, 2-344, TEV	YY46 101 02	-	3
Spare O-ring, 2-344, Kalrez® perfluoroelastomer resin	YY46 101 08	-	1
Spare O-ring, 2-344, Viton® fluoropolymer resin	P01002J	-	1
L-Mounting Bracket	YY46 101 90		1

Chemlock bowls are easily retrofitted to Chemgard™ T-Line housings!

PFA Chemlock bowls are designed to fit with Mykrolis's T-Line PFA Chemgard heads (Chemlock bowls are not compatible with U-Line and Inline Chemgard housings). An installed Chemgard housing may be retrofitted with a Chemlock bowl and cartridge.



Consult our applications specialists with any questions.
Chemlock and Mykrolis are registered trademarks of Mykrolis Corporation.
Chemgard and the Mykrolis logo are trademarks of Mykrolis Corporation.
Flaretek is a trademark of Entegris, Inc.
Kalrez and Viton are trademarks of DuPont Dow Elastomers, L.L.C.

Legal/Trademarks: www.mykrolis.com/corporate.nsf/docs/legal
Worldwide Offices: www.mykrolis.com/corporate.nsf/docs/worldwide

U.S.:
Billerica, MA 978-436-6500
Allen, TX 972-359-4000
San Diego, CA 858-452-0124
Japan:
Tokyo 81 3 5442 9718
Kyushu 81 92 471 8133
Osaka 81 6 6390 0594

Europe:
France 33 4 7635 73 00
Germany 49 816 595 110
Asia:
Singapore 65 6745 2422
Korea 82 31 738 5300
People's Republic of China 86 21 5080 5600
Taiwan 886 3 571 0178

Lit. No. PF2027ENUS Rev. H 25 January 2005
Printed in the U.S.A. © 2001-2005 Mykrolis Corporation. All rights reserved. Mykrolis logo © 2001.

PFA Chemgard T-Line Head

PFA Chemlock Bowl



Mykron

Mykron Microelectronics Co., Ltd.

上海资方微电子有限公司

Suite 318, B Office Tower, Poly Plaza
No.14, Dong Zhi Men Street (South), Dong Cheng District
Beijing, 100027, China
Tel. (86)10-6551 0500 Fax (86)10-6551 0501